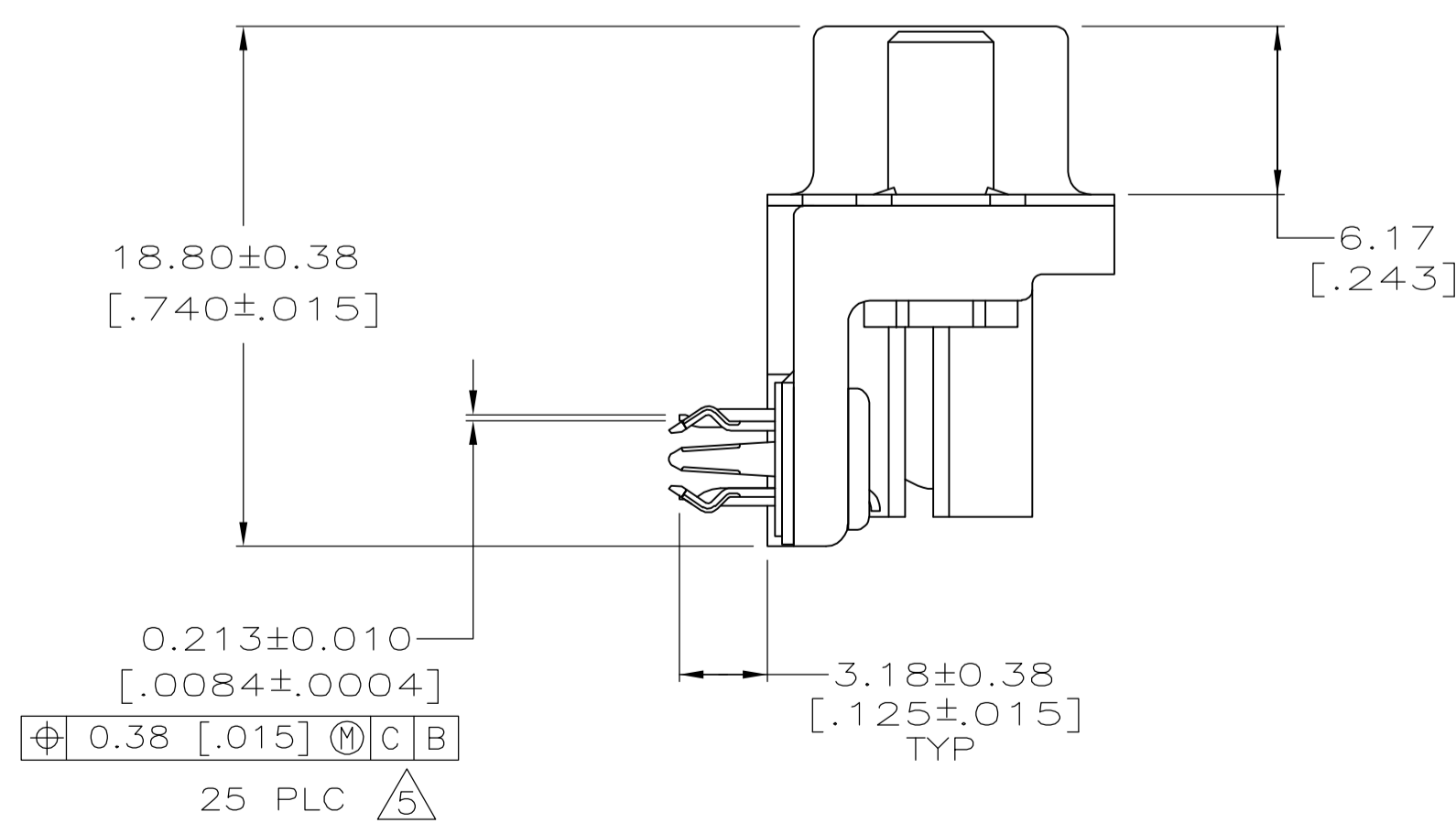
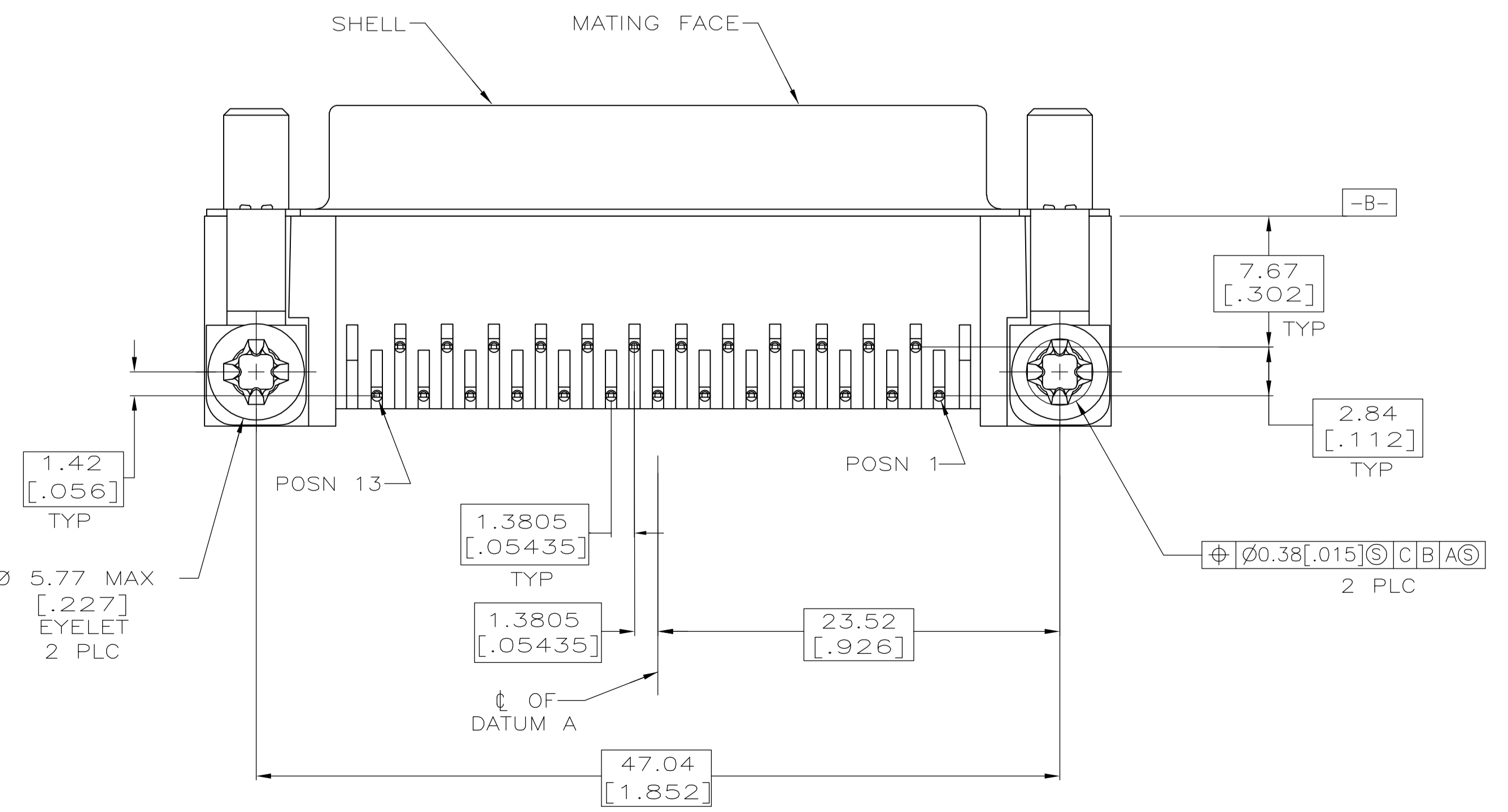


RECOMMENDED PC BOARD LAYOUT
1.57 [.062] PC BOARD THICKNESS



- △ HOUSING & FACE COVER: NYLON, THERMOPLASTIC, UL 94VO RATED, BLACK; SHELL: CARBON STEEL
SOCKET CONTACTS: PHOSPHOR BRONZE; EYELETS: BRASS;
SCREWLOCKS: ZINC; BOARDLOCKS: COPPER ALLOY.
- △ SOCKET CONTACTS: GOLD PLATED FOR A LENGTH OF 1.27 [.050] MIN FROM MATING END, 0.76µm [.000030] MIN GOLD IN MATED AREA, 2.54µm [.000100] MIN TIN FOR A LENGTH OF 3.56 [.140] MIN FROM OPPOSITE END, BOTH OVER 1.27µm [.000050] MIN NICKEL.
EYELETS: 2.54µm [.000100] MIN TIN OVER COPPER FLASH.
SHELL: 2.54µm [.000100] MIN TIN OVER 1.27µm [.000050] MIN COPPER.
SCREWLOCKS: CLEAR CHROMATE.
BOARDLOCKS: 3.81µm [.000150] MIN TIN OVER 1.27µm [.000050] MIN NICKEL.
- △ SOCKET CONTACTS: GOLD PLATED FOR A LENGTH OF 1.27 [.050] MIN FROM MATING END, GOLD FLASH IN MATED AREA, 2.54µm [.000100] MIN TIN FOR A LENGTH OF 3.56 [.140] MIN FROM OPPOSITE END, BOTH OVER 1.27µm [.000050] MIN NICKEL.
EYELETS: 2.54µm [.000100] MIN TIN OVER COPPER FLASH.
SHELL: 2.54µm [.000100] MIN TIN OVER 1.27µm [.000050] MIN COPPER.
SCREWLOCKS: CLEAR CHROMATE.
BOARDLOCKS: 3.81µm [.000150] MIN TIN OVER 1.27µm [.000050] MIN NICKEL.
- △ DATUMS AND BASIC DIMENSIONS ESTABLISHED BY CUSTOMER.
- △ POSITION TOLERANCE APPLIES AT CONTACT TIP.
- △ BOARDLOCKS WILL ACCEPT .062 MAX PRINTED CIRCUIT BOARD THICKNESS.
- 7. COMPATIBLE WITH SOLDERING APPLICATIONS TO A MAXIMUM OF 225°C FOR A MAXIMUM DURATION OF 90 SECONDS. TEMPERATURE TO BE MEASURED ON CONNECTOR SURFACE.

△	5788801-2
△	5788801-1
FINISH	PART NO

THIS DRAWING IS A CONTROLLED DOCUMENT.		DIN J. ALCORTA - 04-13-05		Tyco Electronics Corporation	
DIMENSIONS: mm [INCHES]		CHK S. BOLASH 04-13-05		Harrisburg, PA 17105-3608	
TOLERANCES UNLESS OTHERWISE SPECIFIED:		APVD M. WALMSLEY 04-13-05		RCPT ASSEMBLY, SIZE 3, 318 SERIES, WITH FRONT METAL SHELL, HIGH TEMPERATURE, AMPLIMITE HD-20	
0 PLC ± -	1 PLC ± -	NAME		108-40025	
2 PLC ± 0.13 [.005]	3 PLC ± -	PRODUCT SPEC		114-40010	
4 PLC ± -	ANGLES ± -	APPLICATION SPEC		SIZE CAGE CODE DRAWING NO RESTRICTED TO	
MATERIAL	FINISH	WEIGHT		A1 00779 C=5788801	
SEE TABLE	SEE TABLE	CUSTOMER DRAWING		SCALE 4:1 SHEET 1 OF 1 REV 0	

COPYRIGHT 2005 TYCO ELECTRONICS CORP ALL RIGHTS RESERVED